

Ball Valve KH 01/6 Series

DUNGS[®]
Combustion Controls



UL Listed

- For sizes 1/4" to 2"
- UL 125 (125 PSI)
- UL Subject 258 (125 PSI)
- UL file # MH 18741

CSA Certified

- For sizes 1/4" to 2"
- ANSI Z21.15/CSA 9.1
Class 3371-08 and Class 3371-88
0.5 PSI
- ANSI B16.33
Class 3371-14 and 3371-94
125 PSI
- CSA 3.16
Class 3371-10
125 PSI
- CSA 3-88 and CGA CR91-002
125 PSI
- ASME 16.44
Class 3371-92
5 PSI
- CSA file # 209183

FM Approved

- For sizes 1/4" to 2"
- Water service
- FM file # 1B7A5.AH

Commonwealth of Massachusetts Approved Product

- Approval code G1-1107-35
- Ball valve

Codes and Standards

This product is recommended for installations covered by but not limited to NFPA 37, NFPA 85, NFPA 86, UL 795, CSD-1, ANSI Z83.4, ANSI Z83.18, ANSI Z21.13, and CSA B149.3.

**DUNGS is an ISO 9001
manufacturing facility.**



Applications

Manually operated ball valves for gas piping carrying natural gas, propane, butane, air and inert gases.

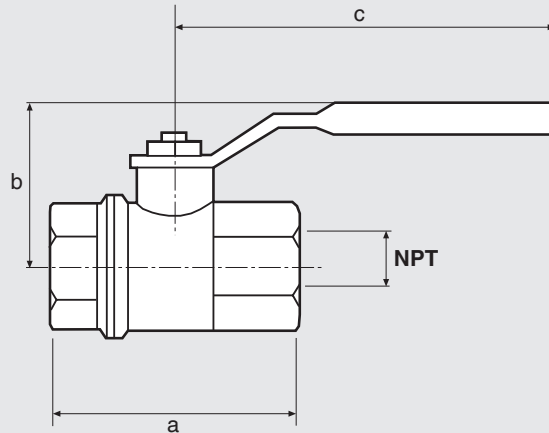
Technical specifications

Full port
Sizes: 1/4" to 3"
Threads: NPT
Operating pressure: 125 PSI max. for natural gas, LP gas, and butane gas.
Temperature range: -40 °F to +300 °F (-40 °C to +150 °C)
Body: Forged Brass
Seal: PTFE O-rings; Viton
Handle: Nickel-steel with plastic cover

**Ball Valve
KH 01/6 Series**



Dimensions inch (mm)



Type	Order No.	Pressure _{max.} [PSI]	Size	Dimensions [inch]			Weight [lbs] [kg]
				Dimensions [mm]			
				a	b	c	
KH 01/6-02	D240-887	125	Female / Female NPT 1/4"	1.97 50	1.51 38	3.23 82	0.37 0,17
KH 01/6-03	D240-889	125	Female / Female NPT 3/8"	1.97 50	1.51 38	3.23 82	0.37 0,17
KH 01/6-05	D240-890	125	Female / Female NPT 1/2"	2.44 59	1.73 43	3.23 82	0.37 0,17
KH 01/6-07	D240-891	125	Female / Female NPT 3/4"	2.8 64	1.87 50	3.23 82	0.55 0,25
KH 01/6-10	D240-892	125	Female / Female NPT 1"	3.27 81	2.46 54	4.33 120	0.99 0,45
KH 01/6-12	D240-893	125	Female / Female NPT 1 1/4"	3.86 93	2.7 76,5	4.33 120	1.59 0,72
KH 01/6-15	D240-894	125	Female / Female NPT 1 1/2"	4.33 102	3.4 82,5	5.31 158	3.31 1,5
KH 01/6-20	D240-895	125	Female / Female NPT 2"	5.24 121	3.71 89,5	5.31 158	5.67 2,57
KH 01/6-25*	D240-896	125	Female / Female NPT 2 1/2"	5.67 144	4.76 120	9.69 246	8.95 4,05
KH 01/6-30*	D240-897	125	Female / Female NPT 3"	6.5 165	5.16 131	9.69 246	12.80 5,8

*UL, CSA and FM approvals do not apply to this ball valve.



Karl Dungs Inc.
3890 Pheasant Ridge Drive NE
Suite 150
Blaine, MN 55449, U.S.A.
Phone 763 582-1700
Fax 763 582-1799
e-mail info@karldungsusa.com
Internet http://www.dungs.com/usa/

Karl Dungs GmbH & Co. KG
P.O. Box 12 29
D-73602 Schorndorf, Germany
Phone +49 (0)7181-804-0
Fax +49 (0)7181-804-166
e-mail info@dungs.com
Internet http://www.dungs.com