

Eclipse BoostPak

Packaged Gas Booster Systems

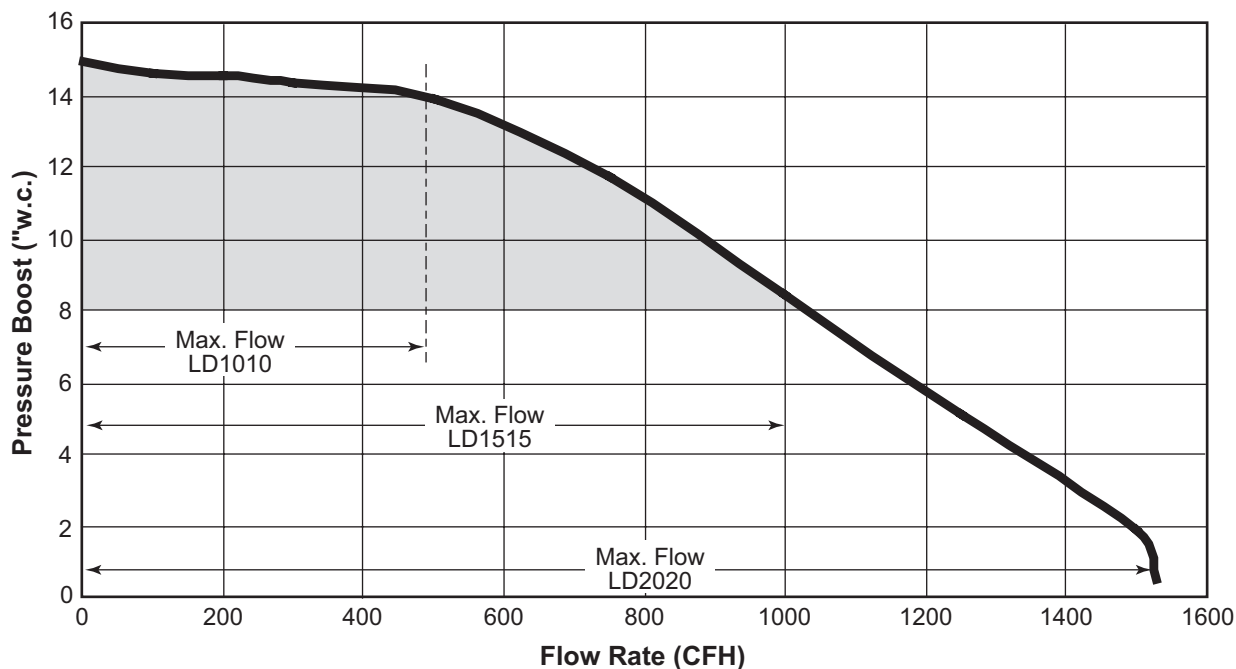
Series LD
Version 2

Low Flow Duplex

Parameter	Specification		
Model Number	LD1010	LD1515	LD2020
Assembly Number	10024880	10024881	10024882
Outlet NPT (inch)	1	1.5	2
Inlet NPT (inch)	1	1.5	2
Minimum Flow (cfh natural gas) ^a	20	20	20
Maximum Flow (cfh natural gas) ^a	500	1000	1500
Pressure Boost ("w.c.) ^a	b	b	b
Turndown	25:1	50:1	75:1
Primary Voltage	c	c	c
Motor Horsepower	1/4	1/4	1/4
Approximate Wt. (lbs) ^d	400	400	400

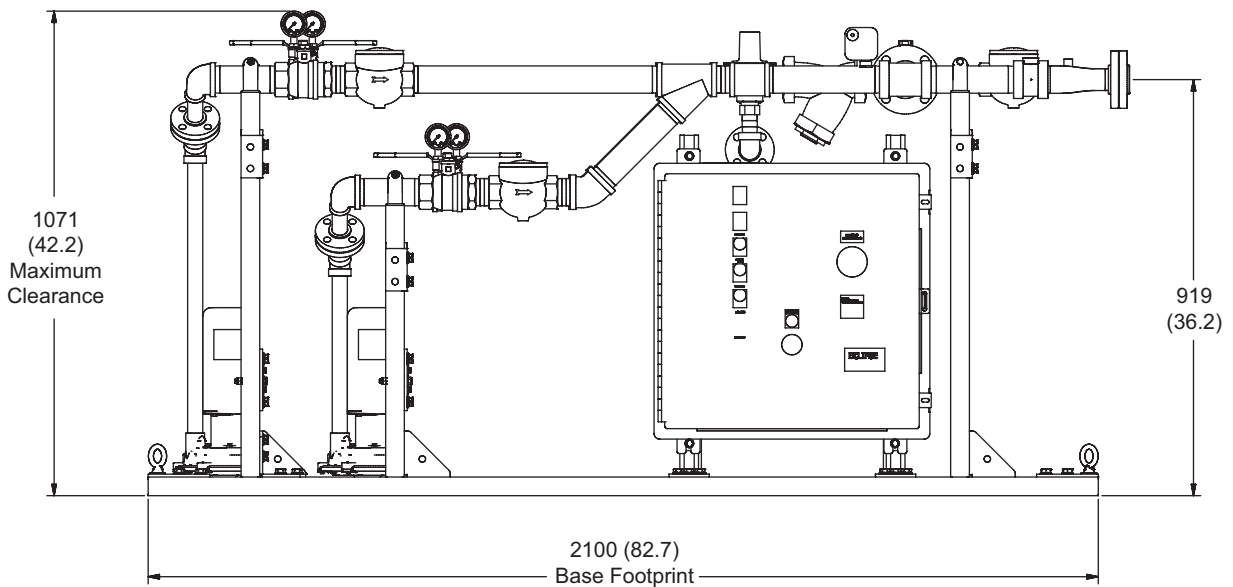
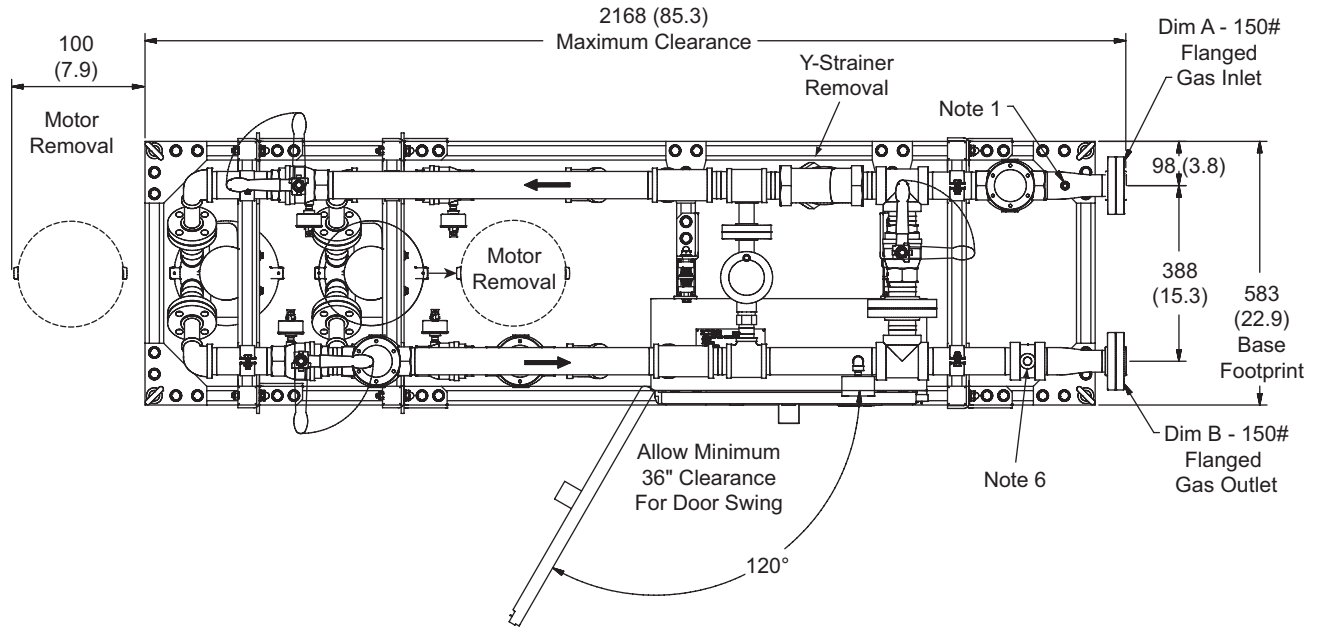
- Notes: **a** Ratings are nominal, in CFH of natural gas, at standard conditions and depend on customer interface piping.
b Refer to the chart below.
c 115VAC, 1PH, 60Hz.
d Weight is approximate.
 NEMA 4 rating; NEMA 7 rating option available (footprint increases with this option).

Pressure Boost vs. Flow
(Models LD1010, LD1515, LD2020)



Note: Operation in shaded area requires optional high range spring (#10029674) in the relief regulator.

Dimensions in Millimeters (inches) Low Flow Duplex



- Note 1* Pressure Switch Kit location when factory mounted.
- Note 2* When Pressure Switch Kit is supplied loose by Eclipse, it is to be installed by customer in accordance with local codes.
- Note 3* Customer is to secure Boostpak to foundation through unistrut base (customer drilled holes).
- Note 4* Dimensions shown are nominal. Variations of 2% may occur due to thread engagement and assembly tolerances.
- Note 5* Ensure proper clearances for motor removal and y-strainer inspection.
- Note 6* Flow control kit location, when factory mounted.