

MODEL G Gas Pressure Switch



Model G



The Model G is a gas pressure switch that monitors pressure and breaks the electrical control circuit when pressure drops below or rises above the desired setpoint. The gas pressure settings are adjustable.

Features

- Compact design.
- Accurate.
- Adjustable setpoints.
- Manual or automatic reset.
- Ventless.
- Cost-effective pricing.
- Custom design per OEM specifications.
- Mounts to any modular valve body.

Antunes Controls

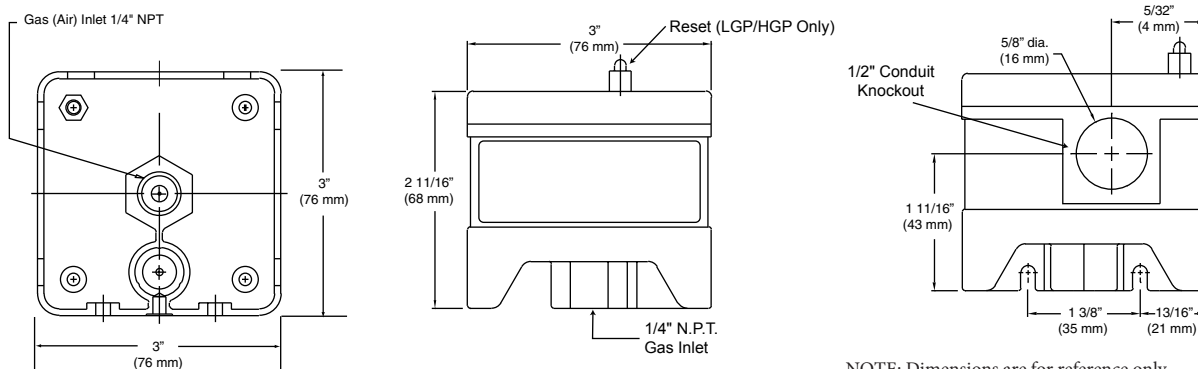
Since 1962, Antunes Controls has designed and manufactured exceptional quality products for applications that require precision mechanisms. From our earliest pressure switches, which are still manufactured today with only slight modifications, to our more advanced electronic controls and timers, Antunes Controls uses only the highest quality components and the highest standards to ensure each one of our products is durable and dependable. That is why our switches and controls can be found in buildings throughout the world.

For more information about Antunes Controls and its products, call (630) 784-1000 or visit www.antunescontrols.com.



MODEL G Gas Pressure Switch

Dimensions



NOTE: Dimensions are for reference only.

Low Ranges Available

| Model | Part No. | W.C. | mbar |
|--------|------------|--------|----------|
| LGP-G | 8103116202 | 1"–20" | 3–50 |
| LGP-G | 8103116303 | 5"–30" | 12.5–75 |
| LGP-G | 8103116407 | 7"–55" | 17.5–137 |
| RLGP-G | 8104116102 | .5"–4" | 1.3–10 |
| RLGP-G | 8104116203 | 1"–20" | 2.5–50 |
| RLGP-G | 8104116304 | 5"–30" | 12.5–75 |
| Model | Part No. | PSI | Bar |
| RLGP-G | 8104118005 | 1–4 | .07–.28 |

High Ranges Available

| Model | Part No. | W.C. | mbar |
|--------|------------|---------|---------|
| HGP-G | 8101111202 | 2"–20" | 5–50 |
| HGP-G | 8101111303 | 8"–35" | 20–87 |
| HGP-G | 8101111407 | 10"–60" | 25–150 |
| RHGP-G | 8102111102 | .8"–4" | 2–10 |
| RHGP-G | 8102111203 | 2"–20" | 5–50 |
| RHGP-G | 8102111304 | 5"–35" | 12.5–87 |
| Model | Part No. | PSI | Bar |
| RHGP-G | 8102113005 | 1–4 | .07–.28 |

Specifications

Models—Reset

LGP-G: Single Unit, Lo-Pressure
HGP-G: Single Unit, Hi-Pressure

Models—Recycle

RLGP-G: Single Unit, Lo-Pressure
RHGP-G: Single Unit, Hi-Pressure

Electrical Ratings

10A @ 125 VAC
10A @ 250 VAC
1/3 HP, 125 & 250 VAC

Adjustable Operating Pressure

1" W.C. to 4 PSI (different ranges)

Surge Pressure: 15 PSI (1 Bar)

Max. Operating Pressure:

6 PSI (400 mbar) Automatic Reset

2 PSI (138 mbar) Manual Reset

Ambient Operating Temperature:

-40°F to 140°F (-40°C to 60°C)

Field wiring to be rated @ 60°C for maximum 140°F ambient

Shipping Weight: .5 lbs. (.227 kg)

Options:

- NEMA 3S with Kit
- 4-Pin DIN Connector
- Neon Lamp Indicator
- Side Mounting

Limitation of Liability. If it is understood and agreed that seller's liability whether in contract, in tort, under any warranty, in negligence or otherwise, shall not exceed the return of the amount of the purchase price paid by purchaser and under no circumstances shall seller be liable for special, indirect or consequential damages. The price stated for the equipment is a consideration in limiting seller's liability. No action, regardless of form, arising out of the transactions may be brought by purchaser more than one year after the cause of action has accrued.